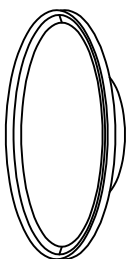


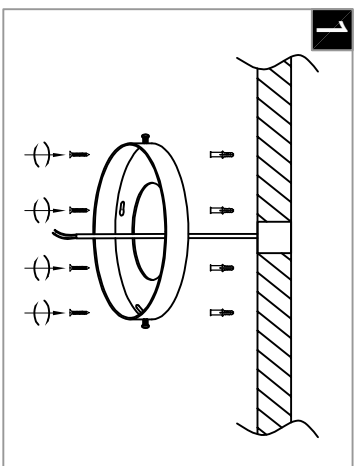
Warning:

This product must be installed by personnel who are familiar with its structure and related hazards, in accordance with the installation specifications. This product is suitable for indoor installation.

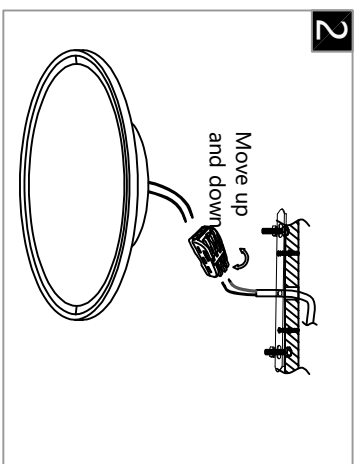


Product style diagram

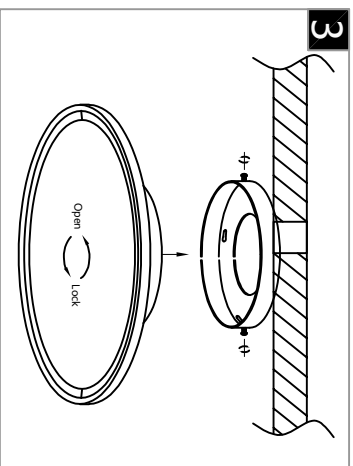
Steps of installation



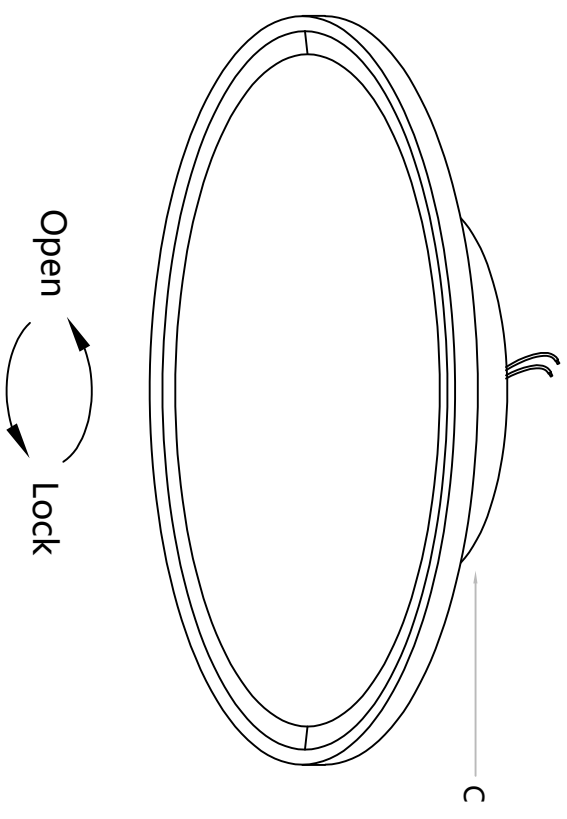
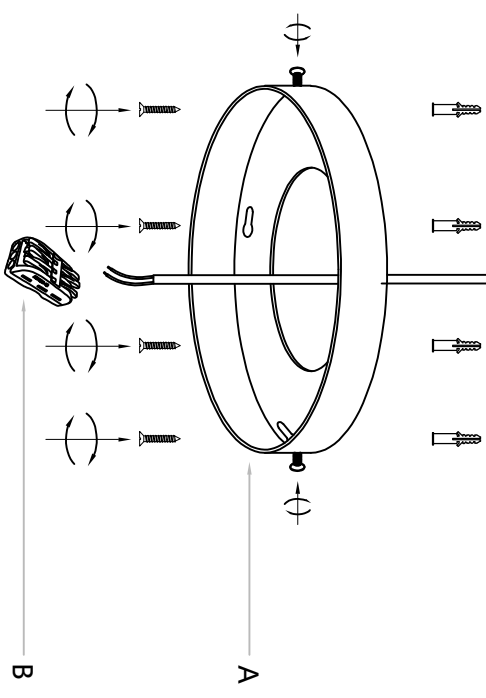
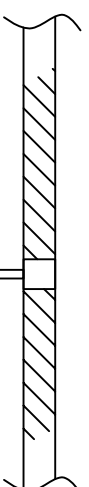
First, fix the expansion screws onto the ceiling, and then lock the mounting plate onto the screws.



Connect the wires inside the luminaire and ceiling to the terminal, usually neutral wire (white), hot wire (black)



Next, align the holes of the lamp body (with the threaded rod of the mounting plate), lock it in place, and then tighten the screws.



First, fix the mounting plate (A) to the ceiling. Then, use the junction box (B) to connect the wires of the lamp body (C) to the wires of the ceiling. Next, align the holes of the lamp body (C) with the threaded rod of the mounting plate (A), lock it in place, and then tighten the screws.