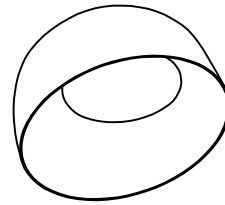


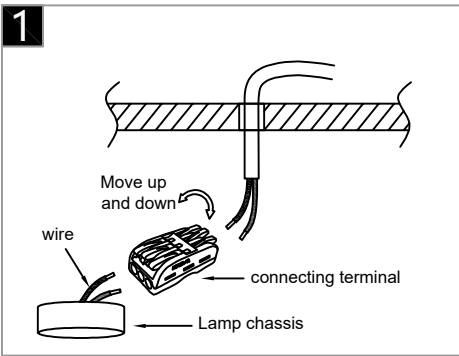
Warning:

This product must be installed by personnel who are familiar with its structure and related hazards, in accordance with the installation specifications. This product is suitable for indoor installation.

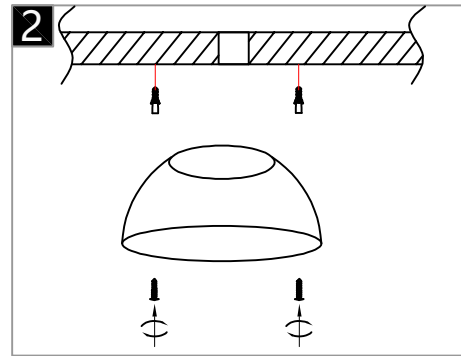


Product style diagram

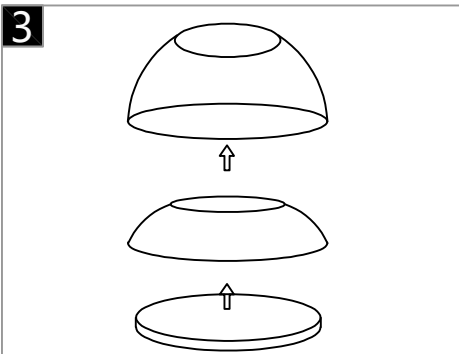
Steps of installation



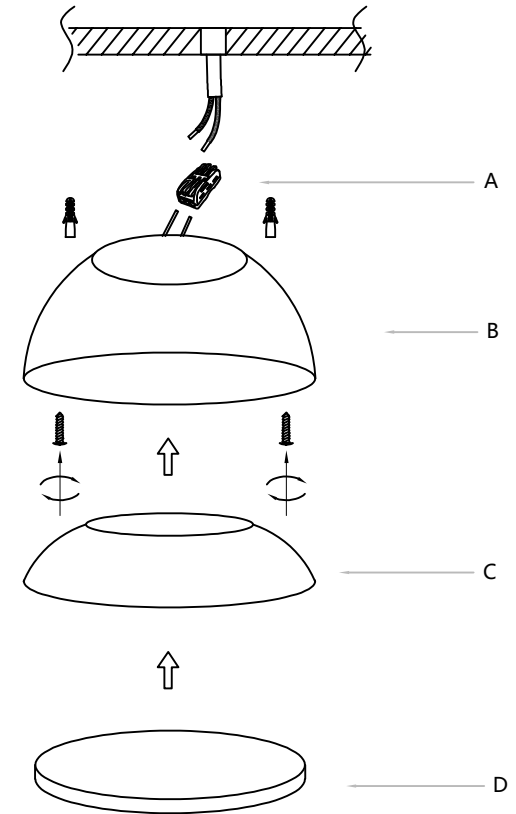
Connect the wires inside the luminaire and ceiling to the terminal, usually neutral wire (white), hot wire (black)



Fix the mounting plate to the ceiling using self-tapping screws.



First, install the inner cover onto the lamp body, and then install the acrylic cover inside the inner cover.



First, connect the reserved wires on the lamp body (B) to the terminal block (A). Then, fix the lamp body on the ceiling. Finally, install the inner cover (C) on the lamp body, and then install the acrylic sheet (D) inside the inner cover (C).