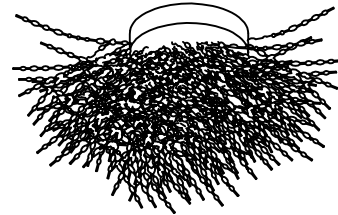
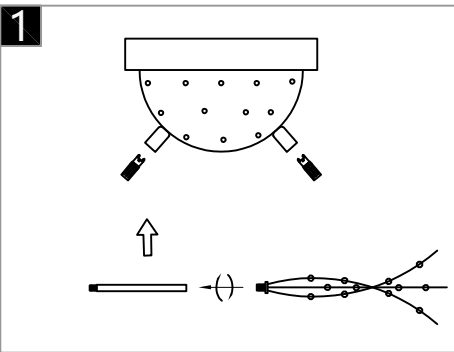


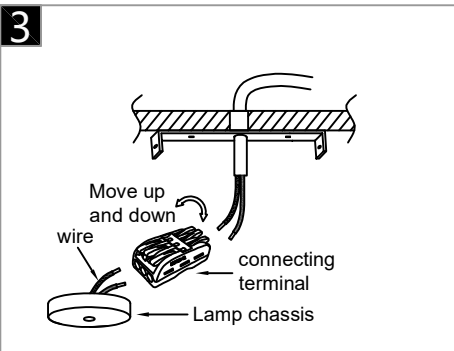
Warning:
This product must be installed by personnel who are familiar with its structure and related hazards, in accordance with the installation specifications. This product is suitable for indoor installation.



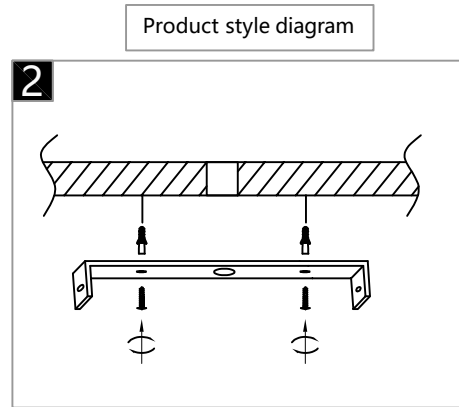
Steps of installation



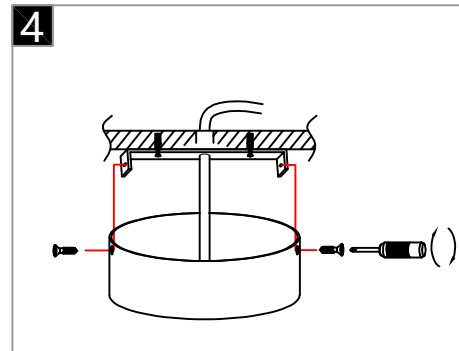
First, install the light source. Then, screw the decorative strip onto the internal threaded rod, and then attach it to the lamp body.



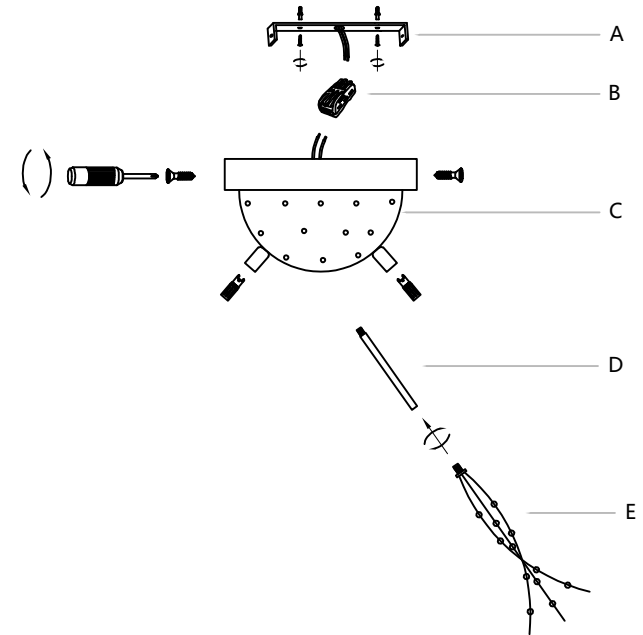
Connect the wires inside the luminaire and ceiling to the terminal, usually neutral wire (white), hot wire (black)



Attach the mounting plate to the ceiling with self-tapping screws.



Align the holes on the top cover with the holes on the mounting plate, and then secure them with screws.



First, install the light source. Then, screw the decorative strip (E) onto the internal threaded rod (D), and then onto the lamp body. Next, fix the mounting plate (A) to the ceiling. Then, connect the wires reserved on the top cover (C) to the wires on the ceiling and the terminal block (B). Afterwards, align the holes on the top cover with the holes on the mounting plate, and then tighten the screws.