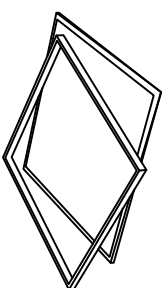


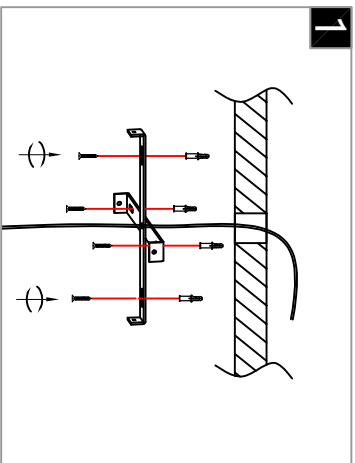
**Warning:**

This product must be installed by personnel who are familiar with its structure and related hazards, in accordance with the installation specifications. This product is suitable for indoor installation.

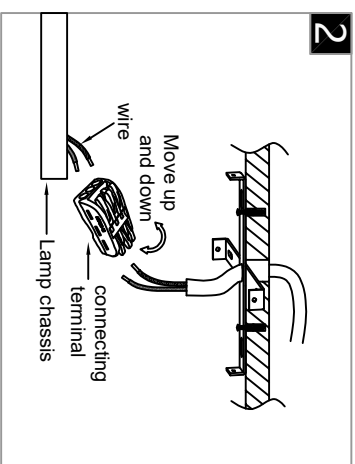


Product style diagram

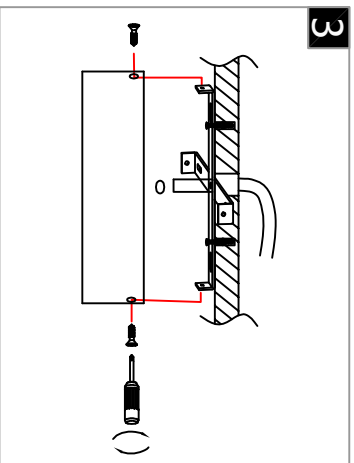
**Steps of installation**



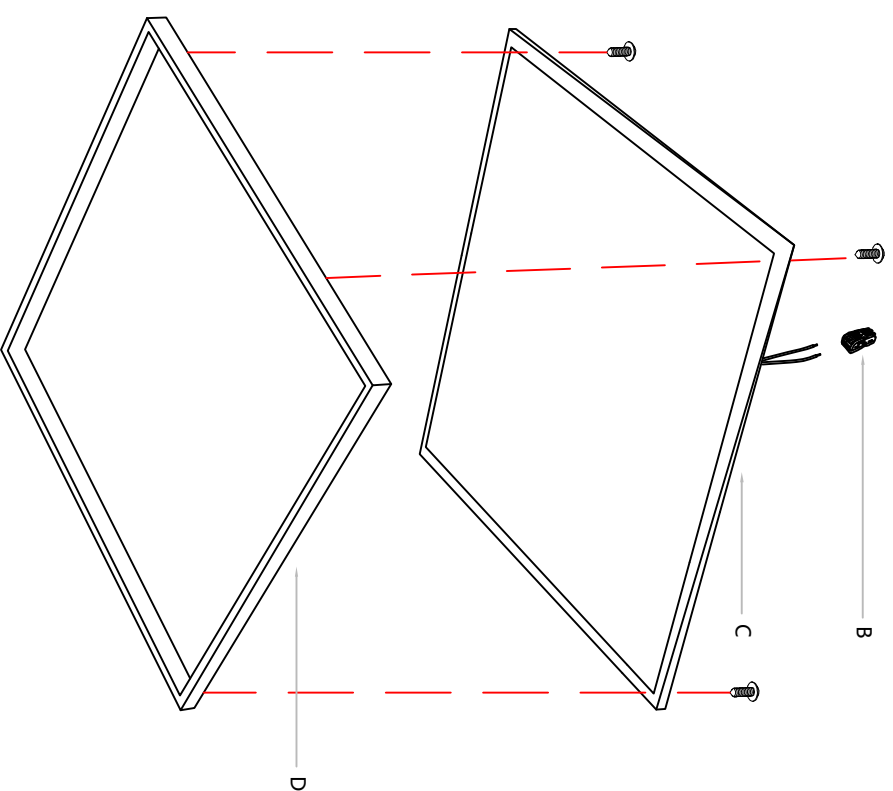
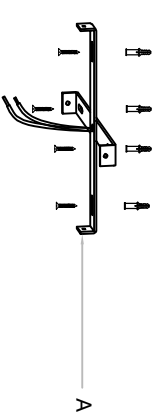
1 Attach the mounting plate to the ceiling with self-tapping screws.



2 Connect the wires to the terminal blocks. Usually, the neutral wire (white) and the live wire (black).



3 Align the hole on the side of the integral lamp canopy with the hole on the mounting plate and lock it tightly with screws.



First, install the square frame (D) onto the top cover (C), and then secure it with screws from above the top cover (C). First, use self-tapping screws to fix the mounting plate (A) to the wall. Then, connect the reserved wires on the lamp body (C) with the reserved wires on the wall and the junction box (B). Finally, install the lamp body (C) onto the mounting plate (A).