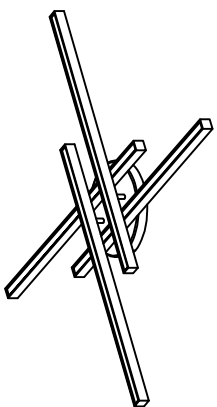
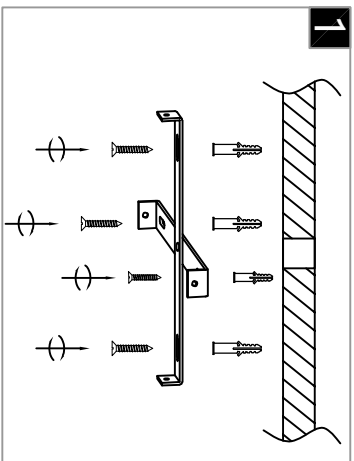


**Warning:**  
This product must be installed by personnel who are familiar with its structure and related hazards, in accordance with the installation specifications. This product is suitable for indoor installation.

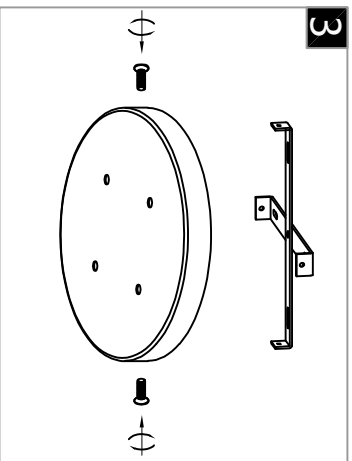


Product style diagram

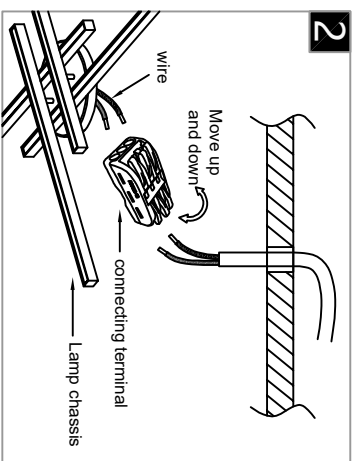
**Steps of installation**



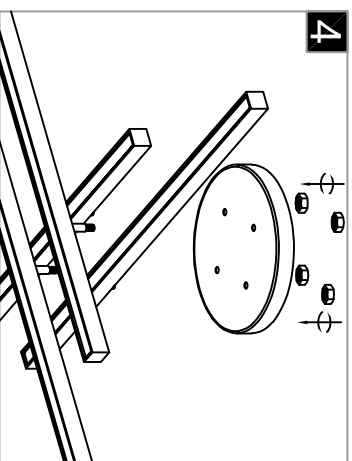
Fix the mounting plate to the ceiling using self-tapping screws.



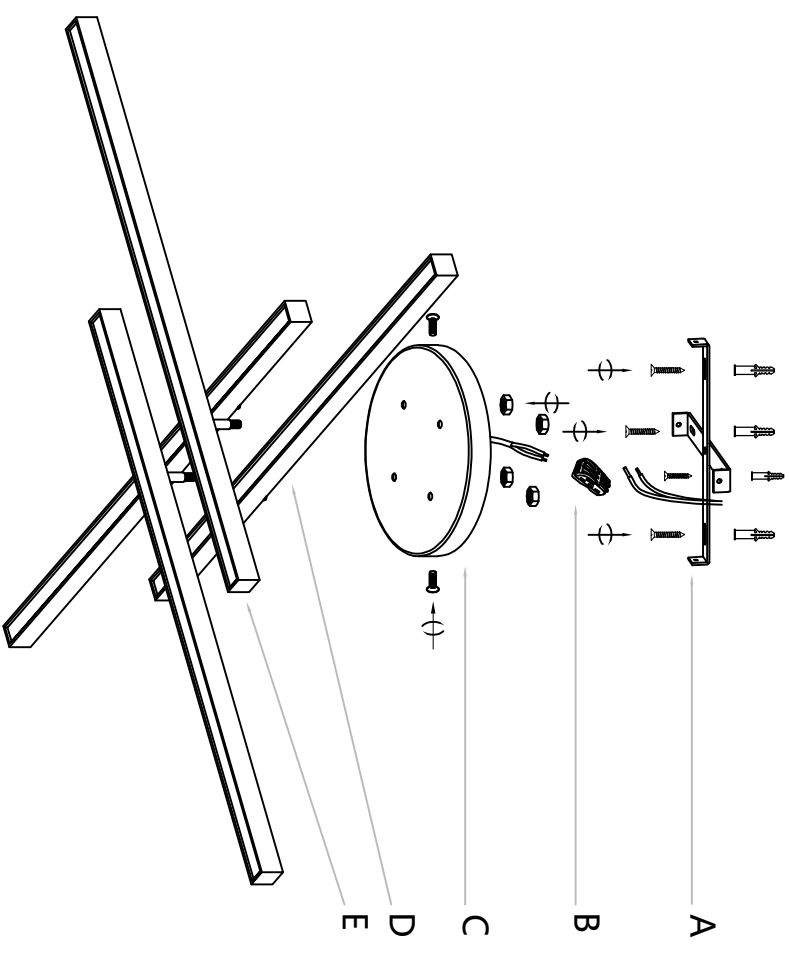
Align the holes on the top cover with the holes on the mounting plate, and then secure them with screws.



Connect the wires inside the luminaire and ceiling to the terminal, usually neutral wire (white), hot wire (black)



Align the threaded cylindrical part of the lamp body with the hole of the cover and install it, then tighten the nut. Next, align the threaded cylindrical part of the lamp body with the hole of the cover and install it, then tighten the nut.



First, align the threaded cylindrical part of the lamp body (D) with the hole of the cover (C) and install it, then tighten the nut. Next, align the threaded cylindrical part of the lamp body (D) with the hole of the cover (C) and install it, then tighten the nut. Then, install the mounting plate (A) onto the ceiling. Then, use the terminal block (B) to connect the wires of the cover (C) to the wires on the ceiling. Next, align the holes on the cover (C) with the holes on the mounting plate (A), and tighten the screws.