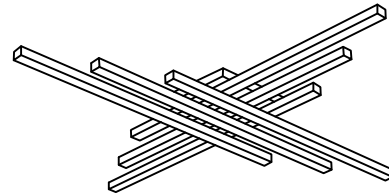
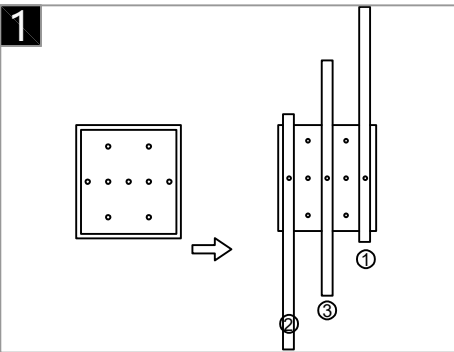


**Warning:**  
This product must be installed by personnel who are familiar with its structure and related hazards, in accordance with the installation specifications. This product is suitable for indoor installation.

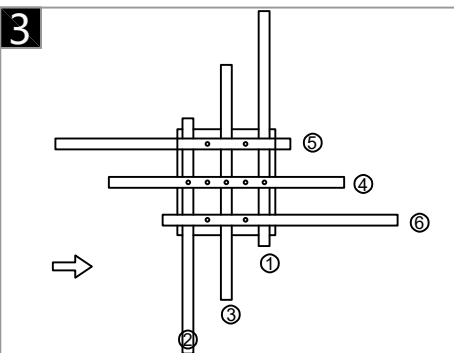


Product style diagram

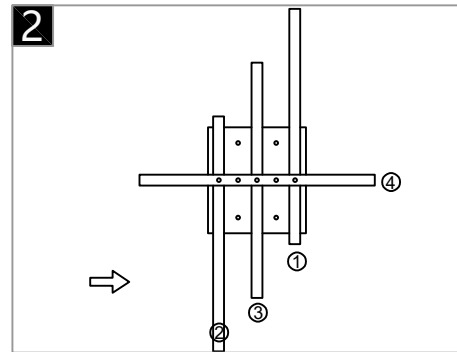
### Steps of installation



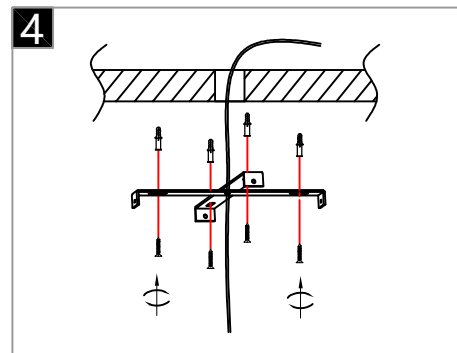
Place the top cover according to the drawing, then install the lamp arms numbered ①, ② and ③ onto the top cover, and finally tighten the screws.



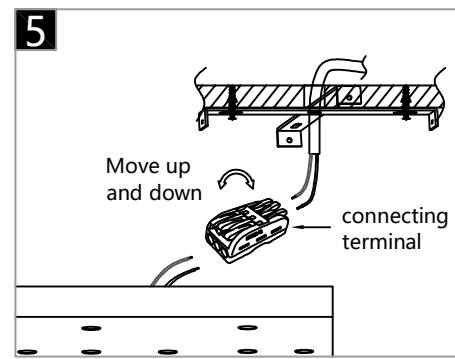
Then install the ⑤ ⑥ lamp arm.



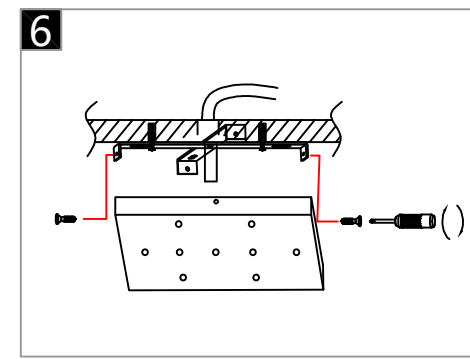
Then install the ④th light panel.



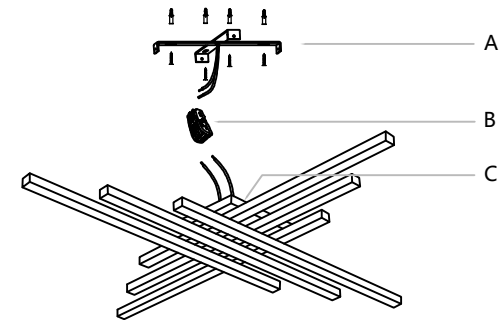
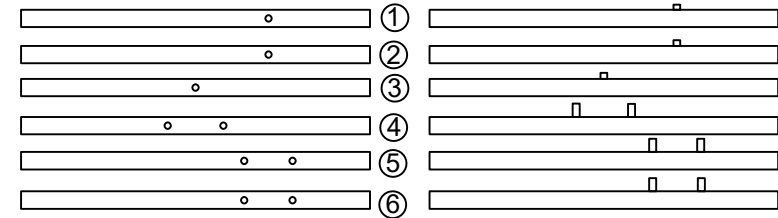
Attach the mounting plate to the ceiling with self-tapping screws.



Connect the wires inside the luminaire and ceiling to the terminal, usually neutral wire (white), hot wire (black)



Align the holes on the top cover with the holes on the mounting plate, and then secure them with screws.



First install the lamp arm to the lamp cover (C) according to the serial number, then fix the mounting plate (A) to the ceiling, then connect the reserved wires on the lamp cover (C) and the ceiling to the terminal (B), and then lock the top cover (C) to the mounting plate (A)