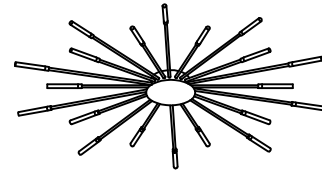


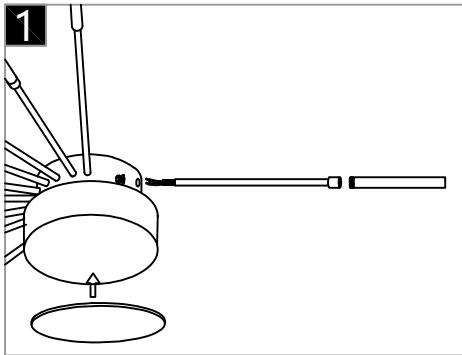
Warning:

This product must be installed by personnel who are familiar with its structure and related hazards, in accordance with the installation specifications. This product is suitable for indoor installation.

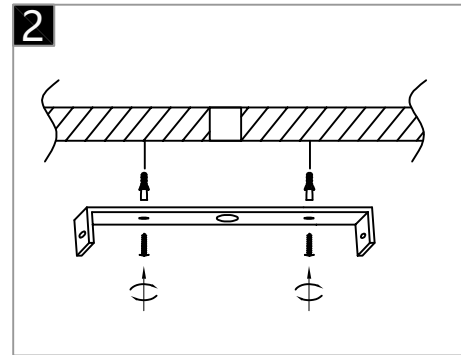


Product style diagram

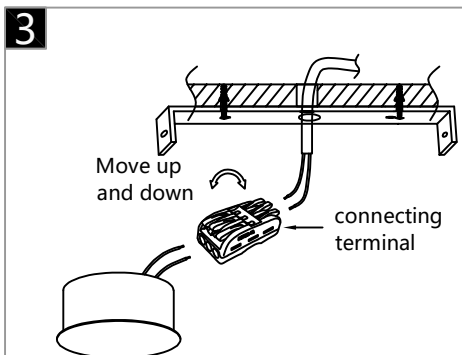
Steps of installation



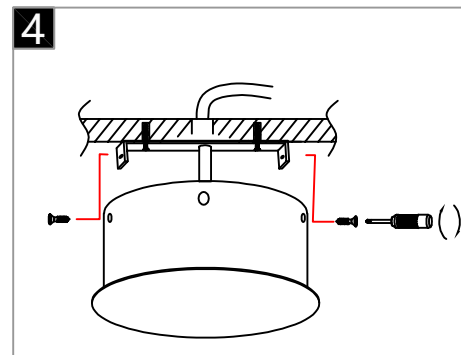
Fix the lamp base bracket onto the top cover, then screw the crystal glass rod onto the lamp arm bracket, and finally install the acrylic lampshade onto the top cover box.



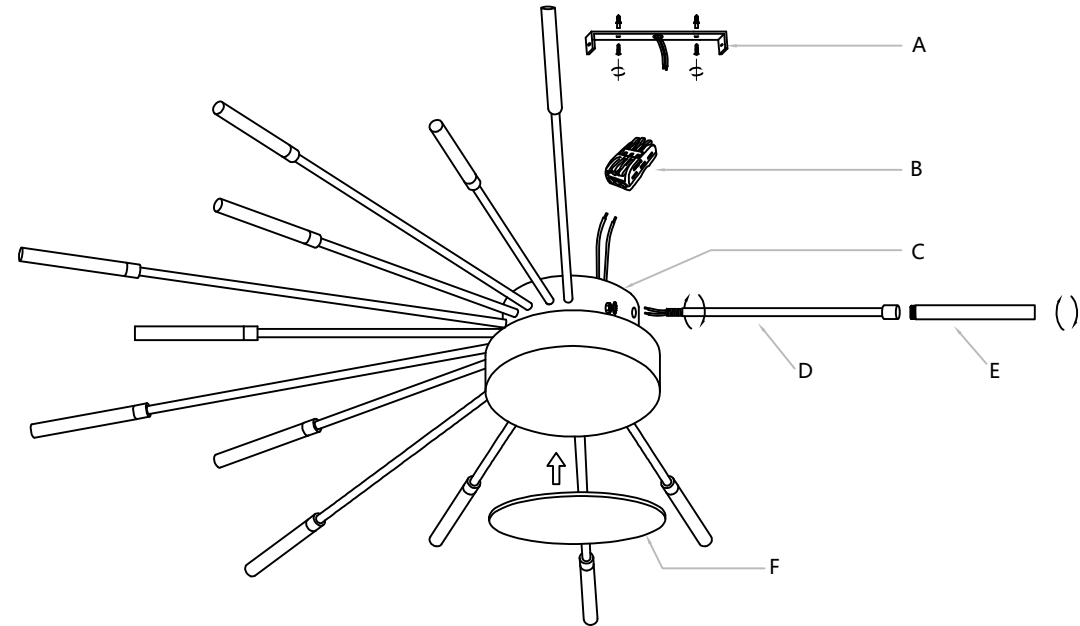
Attach the mounting plate to the ceiling with self-tapping screws.



Connect the wires inside the luminaire and ceiling to the terminal, usually neutral wire (white), hot wire (black)

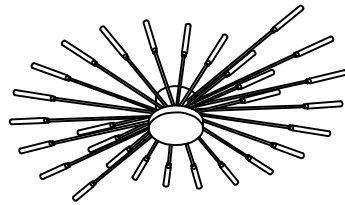


Align the holes on the top cover with the holes on the mounting plate, and then secure them with screws.



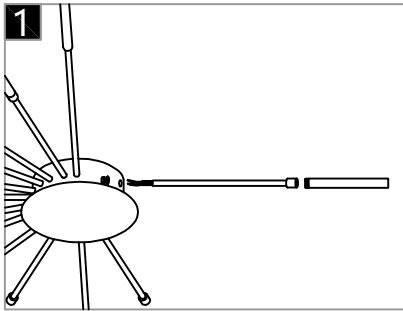
Fix the lamp base (D) onto the top cover (C), then tighten it with a nut. Next, screw the crystal glass rod (E) onto the lamp arm support (D). It is best to install the acrylic lampshade (F) onto the top cover (C) box, fix the mounting plate (A) to the ceiling, then connect the wires reserved for the top cover (C) and the wires on the ceiling to the terminal (B), then align the holes on the side of the top cover (C) with the holes on the mounting plate (A), and finally tighten the screws.

Warning:
This product must be installed by personnel who are familiar with its structure and related hazards, in accordance with the installation specifications. This product is suitable for indoor installation.

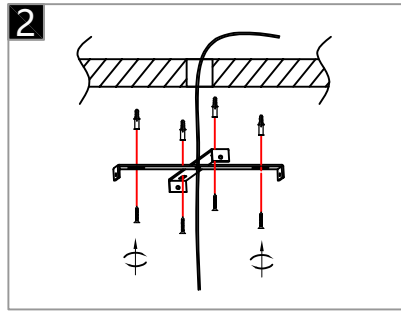


Product style diagram

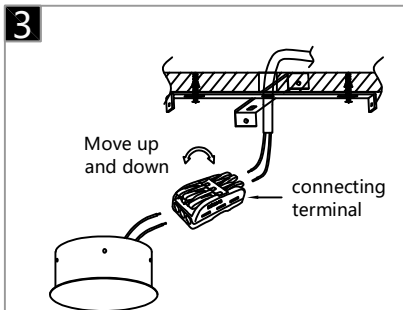
Steps of installation



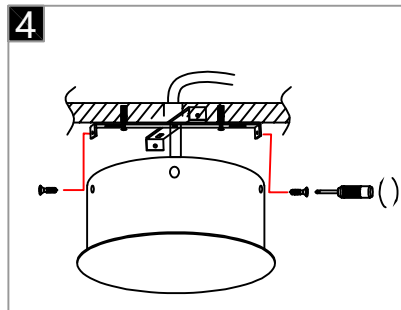
Fix the lamp base bracket onto the top cover, and then screw the crystal glass rod onto the lamp arm bracket.



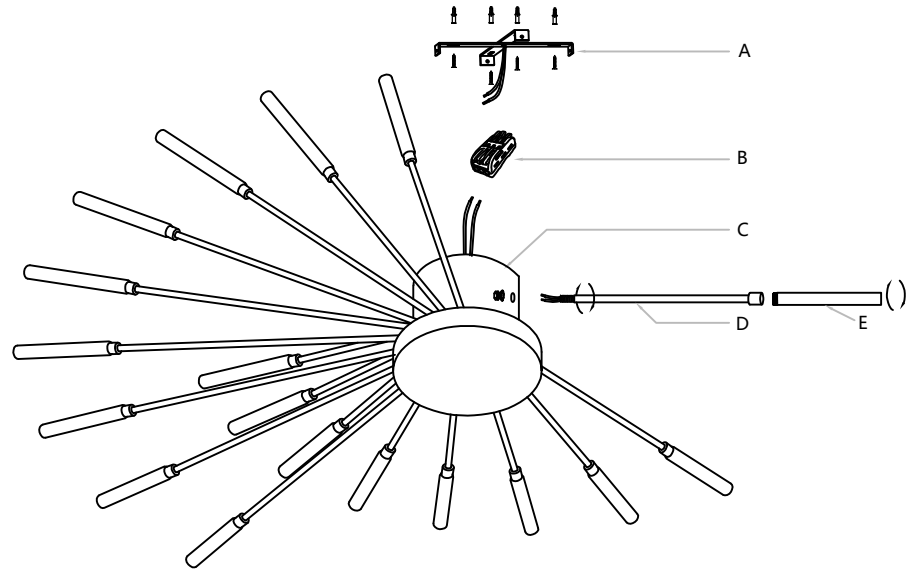
Attach the mounting plate to the ceiling with self-tapping screws.



Connect the wires inside the luminaire and ceiling to the terminal, usually neutral wire (white), hot wire (black)



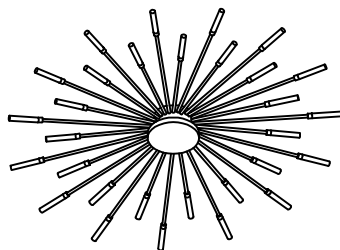
Align the holes on the top cover with the holes on the mounting plate, and then secure them with screws.



Fix the lamp support (D) onto the top cover (C), then tighten it with a nut, and then screw the crystal glass rod (E) onto the lamp arm support (D). Fix the mounting plate (A) to the ceiling, then connect the wires reserved for the top cover (C) and the wires on the ceiling to the terminal (B), then align the hole position on the side of the top cover (C) with the hole position on the mounting plate (A), then tighten the screws,

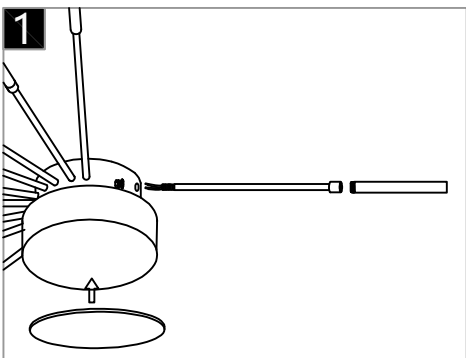
Warning:

This product must be installed by personnel who are familiar with its structure and related hazards, in accordance with the installation specifications. This product is suitable for indoor installation.

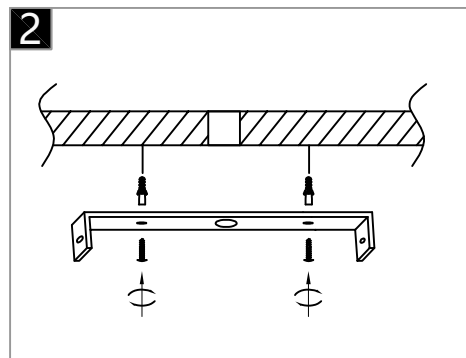


Product style diagram

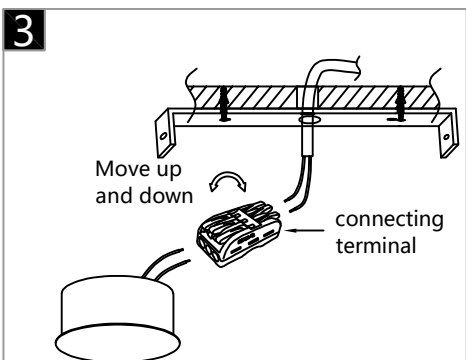
Steps of installation



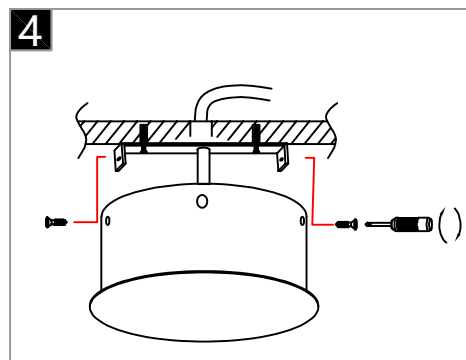
Fix the lamp base bracket onto the top cover, then screw the crystal glass rod onto the lamp arm bracket, and finally install the acrylic lampshade onto the top cover box.



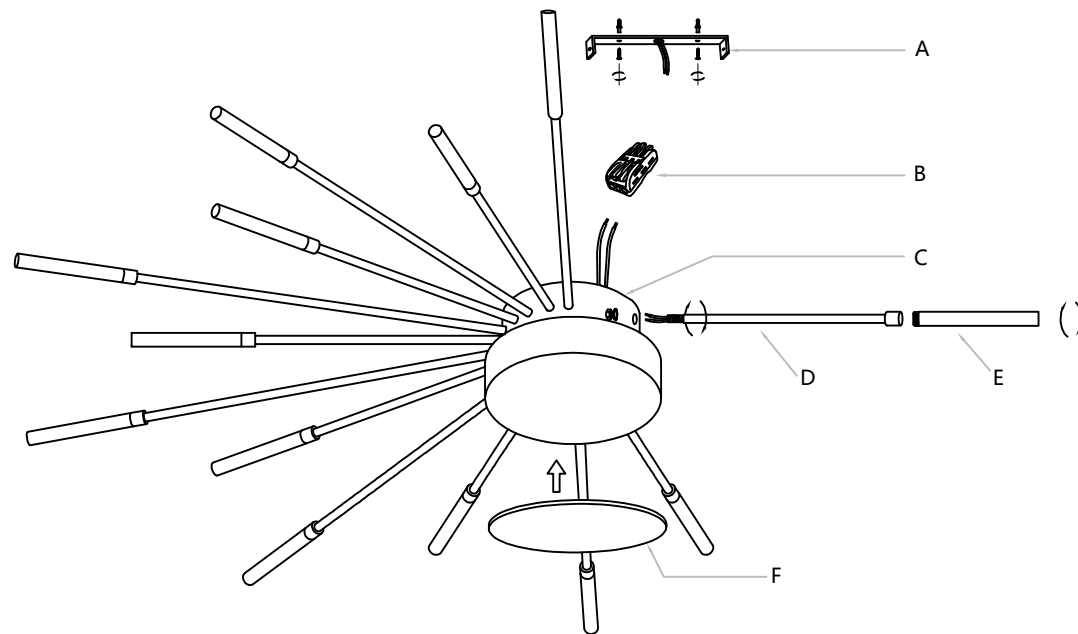
Attach the mounting plate to the ceiling with self-tapping screws.



Connect the wires inside the luminaire and ceiling to the terminal, usually neutral wire (white), hot wire (black)

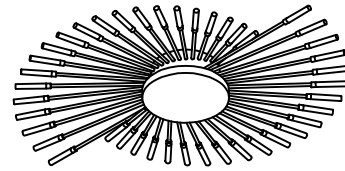


Align the holes on the top cover with the holes on the mounting plate, and then secure them with screws.



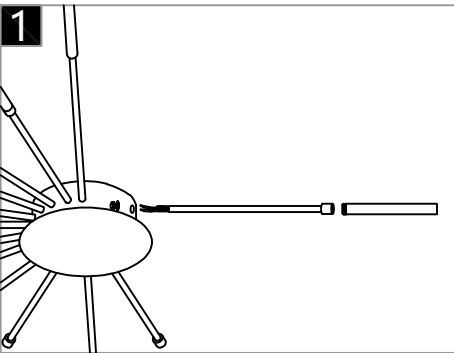
Fix the lamp base (D) onto the top cover (C), then tighten it with a nut. Next, screw the crystal glass rod (E) onto the lamp arm support (D). It is best to install the acrylic lampshade (F) onto the top cover (C) box, fix the mounting plate (A) to the ceiling, then connect the wires reserved for the top cover (C) and the wires on the ceiling to the terminal (B), then align the holes on the side of the top cover (C) with the holes on the mounting plate (A), and finally tighten the screws.

Warning:
This product must be installed by personnel who are familiar with its structure and related hazards, in accordance with the installation specifications. This product is suitable for indoor installation.

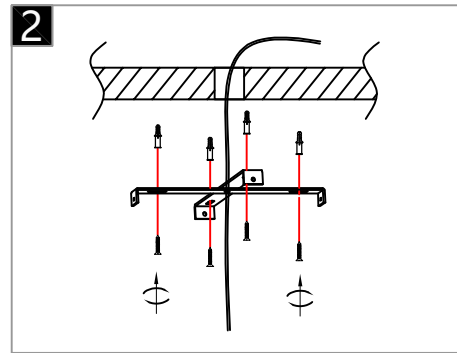


Product style diagram

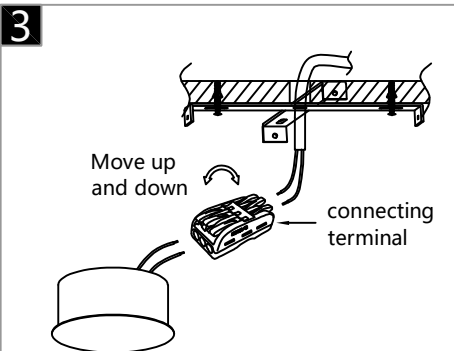
Steps of installation



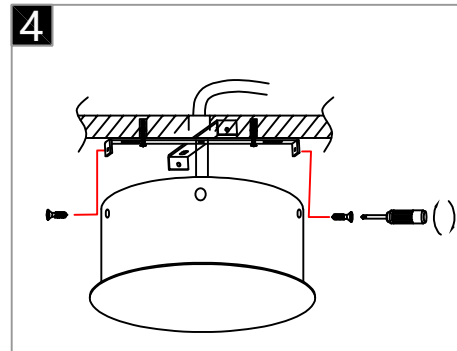
Fix the lamp base bracket onto the top cover, and then screw the crystal glass rod onto the lamp arm bracket.



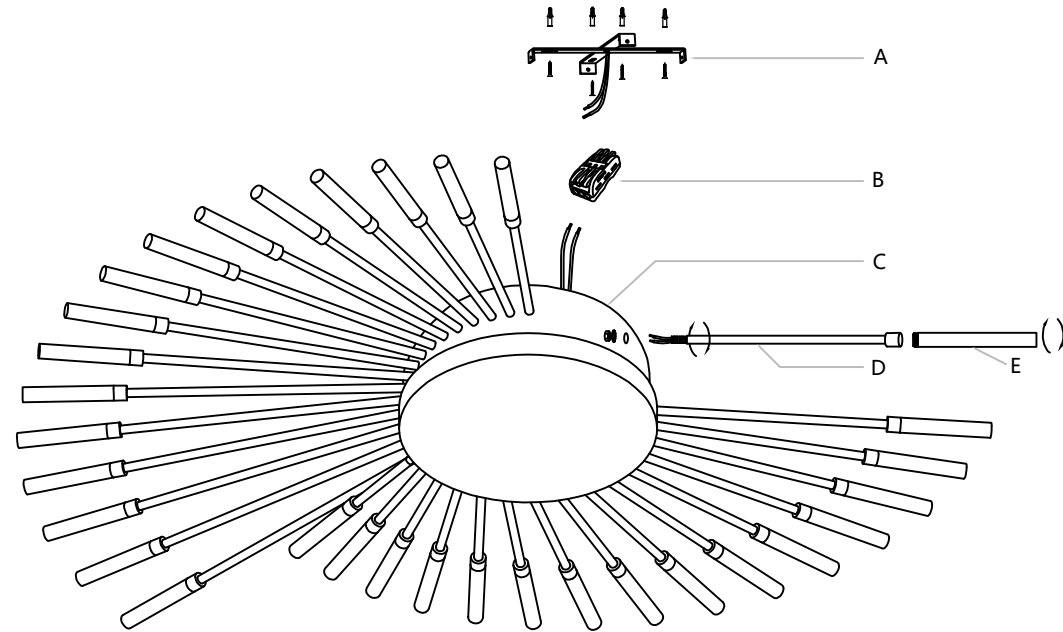
Attach the mounting plate to the ceiling with self-tapping screws.



Connect the wires inside the luminaire and ceiling to the terminal, usually neutral wire (white), hot wire (black)



Align the holes on the top cover with the holes on the mounting plate, and then secure them with screws.



Fix the lamp support (D) onto the top cover (C), then tighten it with a nut, and then screw the crystal glass rod (E) onto the lamp arm support (D). Fix the mounting plate (A) to the ceiling, then connect the wires reserved for the top cover (C) and the wires on the ceiling to the terminal (B), then align the hole position on the side of the top cover (C) with the hole position on the mounting plate (A), then tighten the screws,